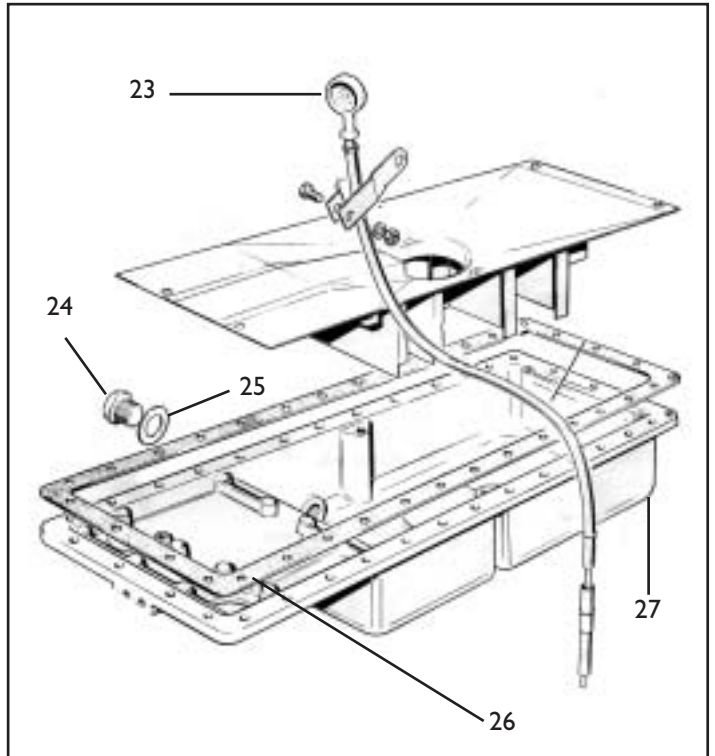
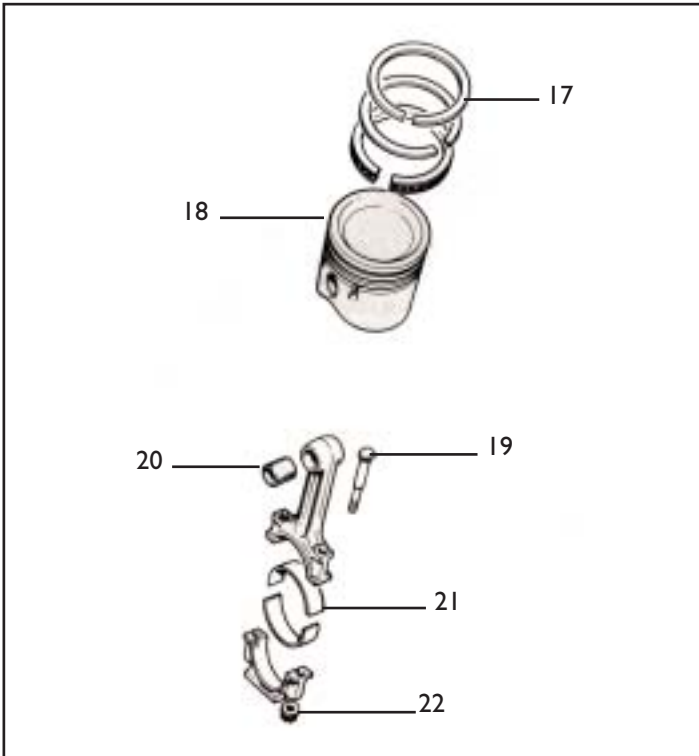
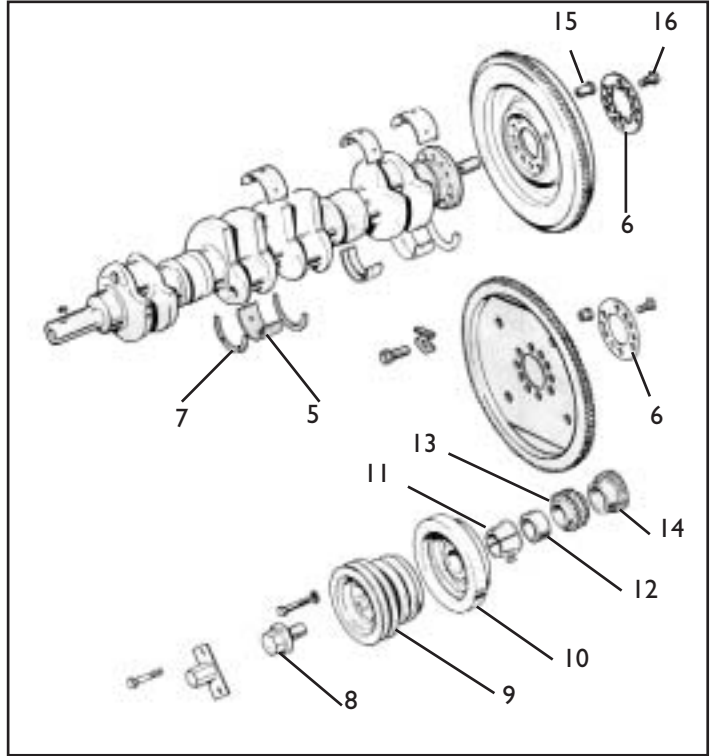
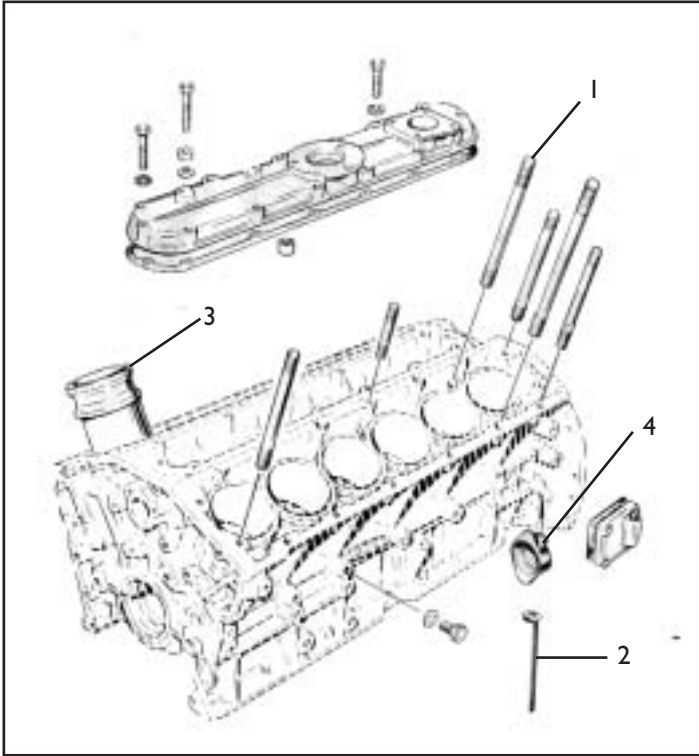


V12 Engine Block 5.3





Independent Jaguar Spares Specialist

V12 Engine Block

1. Cylinder head studs

All models	136mm	NAB2646BA x 4
	70mm	C32680 x 12
	215mm	NAB2646AA x 10
	120mm	NAB2646CA x 4
	200mm	NAB2646DA x 10
	131mm	C32679 x 12

2. Bearing cap seal	C45154 x 2
3. Cylinder liner	C32554
4. Flywheel inspection bung	C34016
5. Crankshaft main bearings	M7325SB
6. Flywheel lock tab	C4810
7. Crankshaft thrust washer	C31806
8. Crankshaft pulley bolt	C32367/1
9. Crankshaft pulley	
E-Type	C32528
XJ12/XJS	C37892

10. Crankshaft damper	
E-Type to 7S10798	C34297
E-Type 7S10799 on	C36013
XJ12/XJS	C37892

11. Crankshaft cone	C13892
12. Distance piece	C32197
13. Timing chain gear	C29330
14. Oil pump drive gear	C32185
15. Flywheel dowel	
Auto	C6862
Manual	C2313

16. Flywheel bolt	
Auto	C6839
Manual	C4855

17. Piston ring set	
E-Type/ XJ pre H.E.	R26136
XJ12 H.E./XJS H.E.	R40300

18. Engine piston	
E-Type/XJ pre H.E.	18206
XJ12 H.E./XJS H.E.	21433
Compression ratio	12:5:1
XJ12 H.E./XJ12 H.E.	21434
Compression ratio	11:5:1

19. Connecting rod bolt	C33271
20. Small end bush	C29308
21. Connecting rod bearings	B12006SB
22. Connecting rod nut	EAC5541
23. Oil level dipstick	
E-Type	C37004
XJ12 Series 1	C37004
XJ12 Series 2 carb	C39896
XJ12 Series 2 inj	C44151
XJ12 Series/XJS	C44151

24. Sump drain plug	C23435
25. Washer	C2296/1
26. Sump gasket	C29425

Bottom pan gasket XJS/XJ12	C29362 Pre H.E.
Bottom pan gasket XJS/XJ12	EBC9623 H.E.

27. Oil sump	
E-Type S3	C33138
XJ12/XJS	EBC10651



Spare Your Garage Floor!!!
Simply the largest drip tray that we have ever seen. Covers the sump and is long enough to catch any drips from the gearbox. Or you can use it to bake the worlds largest swiss roll! SBS1702



SNG Barratt USA, 92 Londonderry Turnpike, Manchester, New Hampshire 03104, USA.
Telephone 603-622-1050 Orderline 1-800-452-4787 Fax 603 622 0849
E-Mail sales.usa@sngbarratt.com Website www.sngbarratt.com