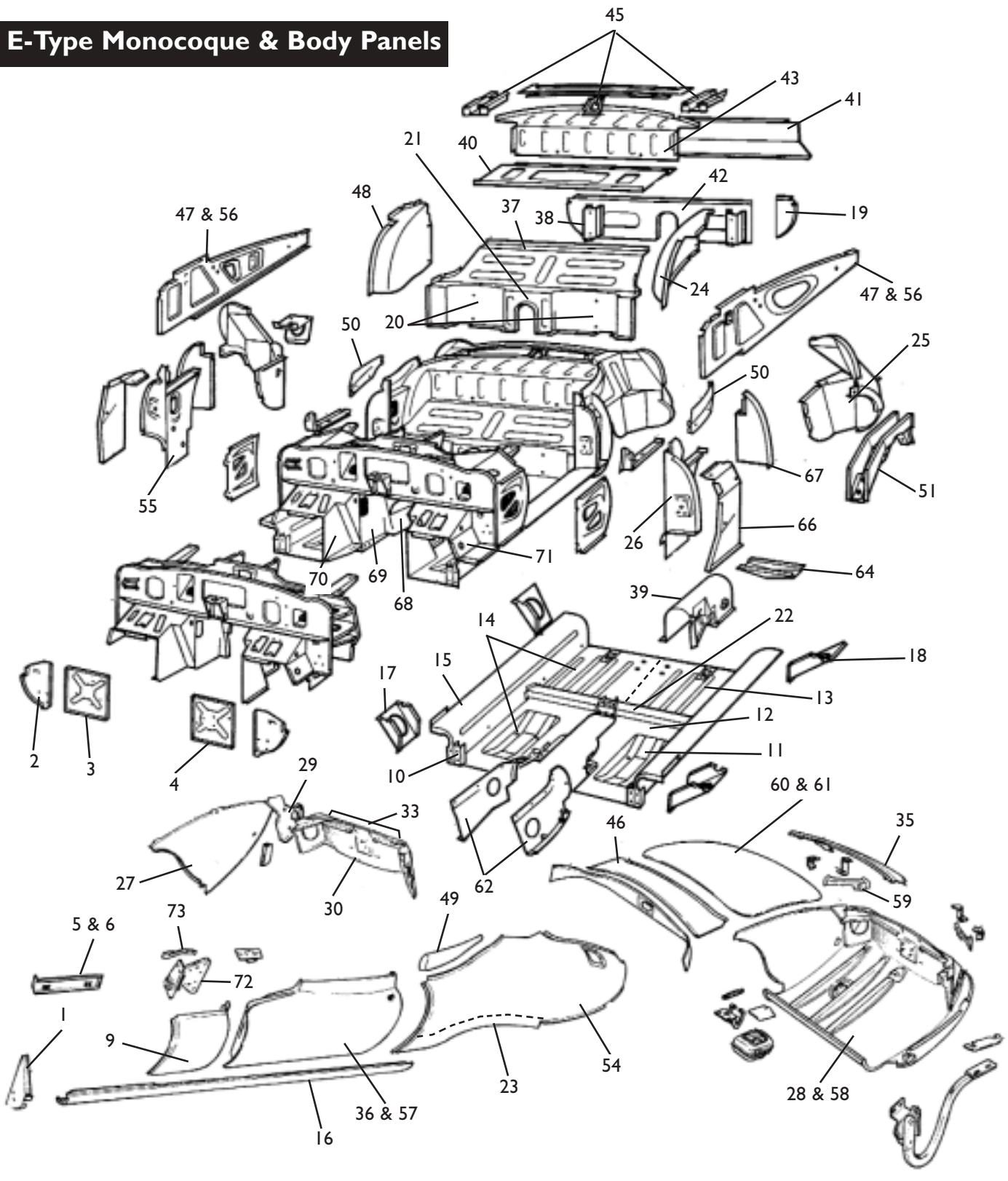


Independent Jaguar Spares Specialist

E-Type Monocoque & Body Panels



SNG Barratt USA, 92 Londonderry Turnpike, Manchester, New Hampshire 03104, USA.
Telephone 603-622-1050 Orderline 1-800-452-4787 Fax 603 622 0849
E-Mail sales.usa@sngbarratt.com Website www.sngbarratt.com



Independent Jaguar Spares Specialist

E-Type Body Panels (Please note that not all the items listed are illustrated)		
1. Sill end closing panel front		
All models except S3	LH RH	BD15184
	LH	BD15185
Sill end closing panel S3	LH	BD15185/1
2. Bulkhead to sill closing panel		
SI/2 DHC/FHC	LH RH	BD28252
	LH	BD28253
SI/2 2+2	LH RH	BD27560
	LH	BD27561
S3	LH RH	BD36514
	LH	BD36515
3. Bulk head panel RH		
SI/2 DHC/FHC 3.8 & 4.2		BD28248
Bulkhead panel 2+2		BD27544
Bulkhead panel V12		BD36574
4. Bulkhead panel LH		
SI 3.8		BD16943
SI/2 4.2 FHC/DHC		BD28249
2+2		BD27545
Bulkhead panel 2+2		BD27545
Bulkhead panel V12		BD36575
5. Mounting bracket LH		BD15186
6. Mounting bracket RH		BD15187
9. Bulkhead side panel	LH RH	BD15180
	LH	BD15181
10. Side frame lower mounting bracket		
SI/2 DHC/FHC	LH RH	BD15159
	LH	BD15160
SI/2 2+2	LH RH	BD27597
	LH	BD27598

S3	LH RH	MRE010BRH
	LH	MRE010BLH
11. Footwell		
Late SI 3.8/SI 4.2/S2 DHC/FHC		MRE011
12. Front floor section with footwell including sill repair		
SI 3.8 flat floor	LH RH	MRE012CRH
	LH	MRE012CLH
SI/2 DHC/FHC	LH RH	MRE012RH
	LH	MRE012LH
SI/2 2+2	LH RH	MRE012ARH
	LH	MRE012ALH
S3	LH RH	MRE012BRH
	LH	MRE012BLH
13. Rear floor, from footwell back, including radius arm cup mounting plate & seat rails etc		
Rear floor footwell models SI/2	LH RH	MRE013RH
	LH	MRE013LH
Sub rear floor with radius arm cup fitted SI/2	LH RH	MRE013/73ARH
	LH	MRE013/73ALH
Rear floor SI/2 2+2	LH RH	MRE013BRH
	LH	MRE013BLH
Rear floor with radius arm cup fitted SI/2 2+2	LH RH	MRE013B/73ARH
	LH	MRE013B/73ALH
Rear floor S3	LH RH	MRE013CRH
	LH	MRE013CLH
Rear floor with radius arm cup fitted S3	LH RH	MRE013C/73ARH
	LH	MRE013C/73ALH



Independent Jaguar Spares Specialist

14. Complete floor with footwell including longitudinal member & seat rails etc.		
SI 3.8 flat floor	RH	MRE014ARH
	LH	MRE014ALH
SI 3.8 flat floor with radius arm cup fitted	RH	MRE014A/73ARH
	LH	MRE014A/73ALH
SI/2 DHC/FHC	RH	MRE014RH
	LH	MRE014LH
SI/2 DHC/FHC with radius arm cup fitted	RH	MRE014/73ARH
	LH	MRE014/73ALH
SI/2 2+2 with radius arm cup fitted	RH	MRE014B/73ARH
	LH	MRE014B/73ALH
S3	RH	MRE014CRH
	LH	MRE014CLH
S3 with radius arm cup fitted	RH	MRE014C/73ARH
	LH	MRE014C/73ALH
15. Inner sill complete		
SI/2 DHC/FHC	RH	MRE015RH
	LH	MRE015LH
S3 & SI/2 2+2	RH	MRE015ALH
	LH	MRE015ARH
16. Outer sill		
SI/2 DHC/FHC	RH	BD15133
	LH	BD15134
S3 & SI/2 2+2	RH	BD27639
	LH	BD27640
17. Inner sill stiffener front		BD16488
18. Inner sill stiffener rear		
All models	RH	BD27754
	LH	BD27755

19. Sill end closing panel		
SI/2 DHC/FHC	RH	MRE021RH
	LH	MRE021LH
S3 & SI/2 2+2	RH	BD27721
	LH	BD27722
20. Upper floor panel side section		
All footwell models	RH	MRE022RH
	LH	MRE022LH
21. Upper floor both sides assembly		
SI 3.8 flat floor		MRE023A
All footwell models		MRE023
22. Floor crossmember section		
SI 3.8 DHC/FHC	RH	MRE024RH
square section	LH	MRE024LH
SI 3.8 DHC/FHC 1 piece alternative		MRE024A
SI 4.2/S2 DHC/FHC	RH	MRE025RH
	LH	MRE025LH
SI 4.2/S2 DHC/FHC 1 piece alternative		MRE025A
SI 2+2	RH	MRE113ARH
	LH	MRE113ALH
S2 2+2	RH	MRE113BRH
	LH	MRE113BLH
S3 DHC	RH	MRE113RH
	LH	MRE113LH
S3 2+2	RH	MRE113BRH
	LH	MRE113BLH
23. Rear wing outer wheel arch repair section		
ES1/2	RH	MRE026RH
	LH	MRE026LH
ES3	RH	MRE027RH
	LH	MRE027LH
24. Inner rear wheelarch front repair section		
ES1/2 FHC only	RH	BD19628
	LH	BD19629

SNG Barratt USA, 92 Londonderry Turnpike, Manchester, New Hampshire 03104, USA.
Telephone 603-622-1050 Orderline 1-800-452-4787 Fax 603 622 0849
E-Mail sales.usa@sngbarratt.com Website www.sngbarratt.com



Independent Jaguar Spares Specialist

ES3	RH	BD39717
	LH	BD39718
25. Inner rear wheelarch rear repair section		
SI/2 DHC	RH	BD15225
	LH	BD15226
SI/2 FHC & 2+2	RH	BD19545
	LH	BD19546
S3	RH	BD36767
	LH	BD36768
26. Door shut face panel		
All models except S2 DHC		
	RH	MRE030RH
	LH	MRE030LH
S2 DHC	RH	MRE032RH
	LH	MRE032LH
27. Rear lower quarter		
SI	RH	BD18837
	LH	BD18838
S2	RH	BD35595/2
	LH	BD35595/3
S3	RH	MRE035ARH
	LH	MRE035ALH
28. Boot floor		
SI		MRE036
S2		MRE037
S2 assembly including lower quarters		BD35604
S3		MRE037AA
S3 assembly including lower quarters		BD36789
29. Stiffener lower quarter to rear panel		
SI models only	RH	BD15264
	LH	BD15265
30. Number plate panel with stiffener		
SI DHC		BD16207
SI FHC		MRE039/040A
S2		BD36106
S3		BD36774

Number plate panel lower edge closing panel		
FHC/2+2 models		MRE042
SI DHC		MRE042A
S2/3 DHC		MRE042AA
Number plate side panels		
All models	RH	MRE042BLH
	LH	MRE042BLH
33. Closing panel from top of number plate panel to drip channel on rear tonneau panel inside boot		
FHC		BD28160
Roof panel number plate light panel		
S2		MRE043A
S3		BD35562
35. Rear tonneau panel with drip channel		
SI FHC		BD19340/4
SI DHC		BD15219
S2/3 FHC		BD42699
S2/3 DHC		BD35502
36. Door skin		
SI/2 DHC	RH	BD21319
	LH	BD21320
SI/2 FHC	RH	BD19741
	LH	BD19742
S3 & SI/2 2+2	RH	BD32392
	LH	BD32393
37. Upper floor complete assembly		
SI 3.8 flat floor		BD15985
Footwell models SI/2		BD22809
38. Rear floor stiffener brackets		
SI 3.8 flat floor		BD17445
Footwell models	RH	BD22816
	LH	BD22817
39. Tunnel assembly SI/2		
		BD28567
40. Top panel rear floor SI/2		
Without rear caliper access apertures		BD25859
With rear caliper access apertures		BD28148
41. Panel front to boot floor SI/2		
		BD15228



Independent Jaguar Spares Specialist

42. Panel assembly to rear floor SI/2 BD20162			
43. Rear bulkhead			
SI/2 DHC		BD19681	
S3 DHC		BD37184	
Tonneau support panel			
SI/2 DHC		BD18801	
S3 DHC		BD37303	
45. Reinforcing channel DHC models BD16212ASSY			
46. Tonneau top panel DHC models BD15189			
47. Rear wheel arch inner valance			
SI/2 DHC	RH	BD15230	
	LH	BD15231	
S3 DHC	RH	BD37176	
	LH	BD37177	
48. Wheel arch forward			
SI/2 DHC	RH	BD15232	
	LH	BD15233	
49. Top panel to hood			
SI/2 DHC	RH	BD18872	
	LH	BD18873	
S3 DHC	RH	BD37197	
	LH	BD37198	
50. Top panel to hood inner			
SI/2 DHC	RH	BD18831	
	LH	BD18832	
Speaker panels			
S3 DHC	RH	BD37197	
	LH	BD37198	
Rear suspension mounting member			
SI/2	RH	BD19077	
	LH	BD19078	
S3 & SI/2 2+2	RH	BD28060	
	LH	BD28061	
Radius arm cup mounting plate MRE073			
Radius arm cup with square base MRE073A			
54. Rear wing			
SI/2 DHC	RH	BD35511	
	LH	BD35512	
SI/2 FHC	RH	BD36100	
	LH	BD36101	
SI/2 2+2	RH	BD35519	
	LH	BD35520	
S3 DHC	RH	BD36731	
	LH	BD36732	
S3 2+2	RH	BD37593	
	LH	BD37594	
55. Inner panel door shut face			
SI/2 DHC	RH	MRE076RH	
	LH	MRE076LH	
SI/2 FHC	RH	MRE076ARH	
	LH	MRE076ALH	
56. Rear wheel arch inner valance			
FHC/2+2 models	RH	BD20544	
	LH	BD20545	
57. Door assembly			
SI/2 DHC	RH	BD24850	
	LH	BD24851	
SI/2 FHC	RH	BD24848	
	LH	BD24849	
SI/SI.5 2+2	RH	BD28204	
	LH	BD28205	
S2 DHC	RH	BD33722	
	LH	BD33723	
S2 FHC	RH	BD32384	
	LH	BD32385	
S2 2+2/S3 without side impact bar	RH	BD33734	
	LH	BD33735	
S3 with side impact bar	RH	BD40777	
	LH	BD40778	



Independent Jaguar Spares Specialist

SI/2 DHC Aluminium	RH	MRE080RH
	LH	MRE080LH
SI/2 FHC Aluminium	RH	MRE081RH
	LH	MRE081LH
58. Rear end comprising of boot floor, rear quarter panels, number plate panel & stiffeners fully assembled		
SI/SI.5 DHC		BD15188
SI/SI.5 FHC		BD19338
S2 DHC/FHC		BD35602
59. Rear light fillets		
SI/SI.5 only	RH	BD18945
	LH	BD18946
60. Boot lid skin		
DHC	steel	MRE104
DHC	aluminium	MRE104SALI
61. Boot lid complete		
DHC	steel	BD28911
DHC	aluminium	MRE104ALI
62. Transmission tunnel side panel		
SI 3.8	RH	BD15137
	LH	BD15138
SI 4.2	RH	BD28056
SI 4.2	LH	BD28057
S2	RH	BD28056
	LH	MRE112E
S3	RH	BD36741
	LH	BD36742
Boot floor filler panel		
SI DHC	RH	MRE114RH
	LH	MRE114LH
SI FHC	RH	MRE114ARH
	LH	MRE114ALH
64. Tunnel stiffener under cente floor		
SI/2 DHC/FHC		BD18368

Bulkhead top panel		
SI/2		BD20957
S3		MRE116A
66. Stiffener behind shut face		
SI/2 DHC/FHC	RH	BD15198
	LH	BD15199
67. Rear closing panel behind stiffener		
SI/2 DHC	RH	BD15994
	LH	BD15995
SI/2 FHC	RH	BD19897
	LH	BD19898
68. Tunnel forward fascia panel		
SI 3.8		MRE119
SI 4.2		MRE119A
69. Tunnel forward side panel		
ES1	RH	MRE120RH
	LH	MRE120LH
ES2	RH	MRE120ARH
	LH	MRE120LH
70. Inner pedal side	RH	MRE121RH
	LH	MRE121LH
71. Outer pedal sides	RH	MRE122RH
	LH	MRE122LH
72. Door hinge		
SI/2 DHC/FHC	RH	BD15495
	LH	BD15496
S3 & SI/2 2+2	RH	BD27680
	LH	BD27681
73. Door check strap		
SI/2 DHC/FHC		BD22662
S3 & SI/2 2+2		BD27794



Possibly the largest independent Jaguar spares specialists in the world.....